



Drawing Change Notice

Page 1 of 3

CHANGE DOCUMENT NO.
24590-BOF-M6N-DEP-
00001

JOB NO. 24590	TITLE FOR CHANGE NOTICE MISCELLANEOUS CHANGES TO LOW POINT DRAIN VESSEL P&ID		
DOCUMENT NUMBER		REV	DOCUMENT NUMBER
24590-BOF-M6-DEP-00001002		0	

PART OF DESIGN CHANGE PACKAGE (DCP)? Yes No

The system has neither been turned over nor is within the 8 week walkdown.

JUSTIFICATION FOR CHANGE

Add software switch DEP-HS-8105D to allow effective control of duty/standby pumps. Change level indications and associated data signals due to changes in control strategy. Revise offsheet connector zone information to rectify discrepancies. In addition, add fail close indication to valve DEP-YV-8106 as the valve fail condition is required information on P&IDs.

MARGIN ANALYSIS

Is the drawing a line list or equipment datasheet AND is the change associated with a Q SCC? Yes No

Supersedes Change Document Yes No

ECN Needed Yes No

REQUIREMENTS REVIEW

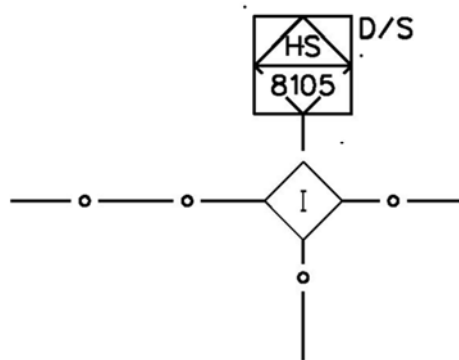
Client Approval Required Yes No Interface Resolution Required * Yes No

Address any "yes" answers in the description

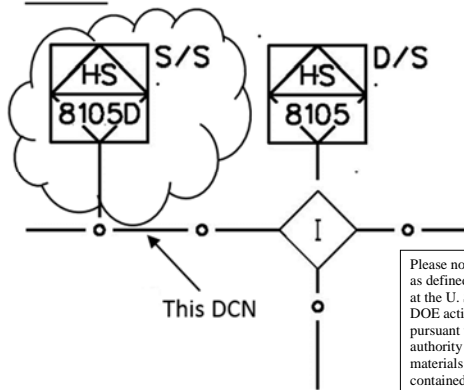
DESCRIPTION OF CHANGE

- 1) Add software switch DEP-HS-8105D to start/stop pumps in zone G6 of 24590-BOF-M6-DEP-00001002

Before:



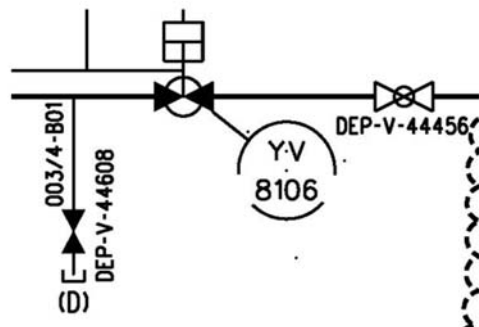
After:



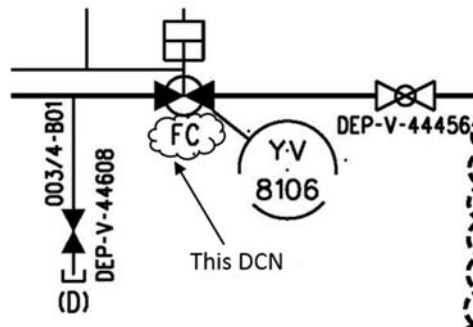
Please note that source, special nuclear, and byproduct materials, as defined in the Atomic Energy Act of 1954 (AEA) are regulated at the U. S. Department of Energy (DOE) facilities exclusively by DOE acting pursuant to its AEA authority. DOE asserts that pursuant to AEA, it has sole and exclusive responsibility and authority to regulate source, special nuclear, and byproduct materials at DOE-owned nuclear facilities. Information contained herein on radionuclides is provided for process description purposes only.

- 2) Add fail close label to valve DEP-YV-8106 found in zone G4 of 24590-BOF-M6-DEP-00001002

Before:



After:





Drawing Change Notice

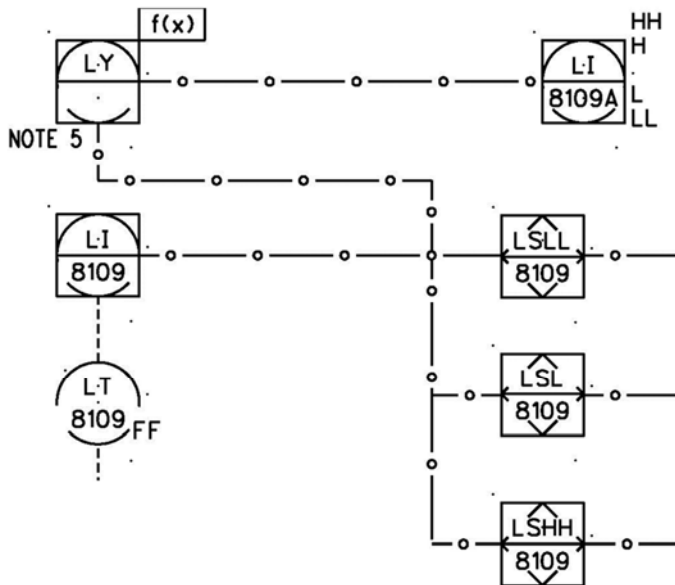
JOB NO.
24590

TITLE FOR CHANGE NOTICE
MISCELLANEOUS CHANGES TO LOW POINT DRAIN VESSEL P&ID

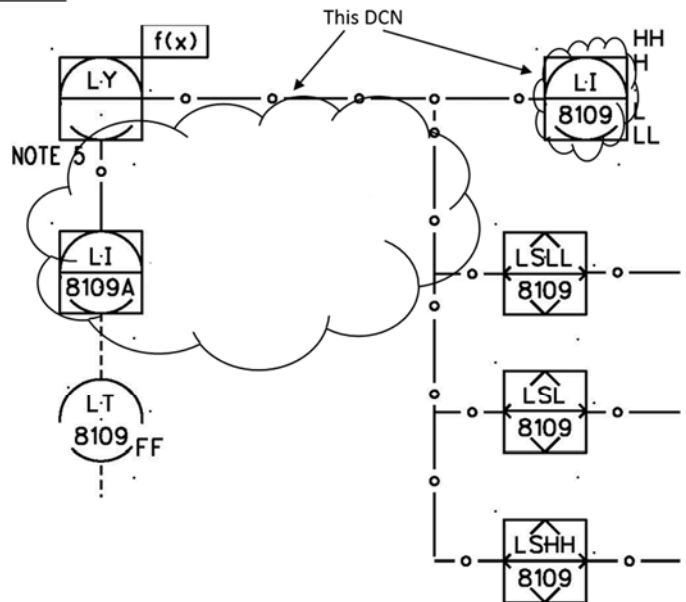
DESCRIPTION OF CHANGE

3) Switch tag numbers of level indicators and change source of data signals found in zone E3/E4/F3/F4 of 24590-BOF-M6-DEP-00001002

Before:

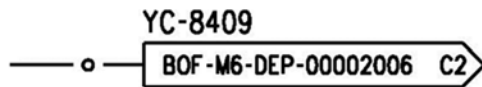


After:

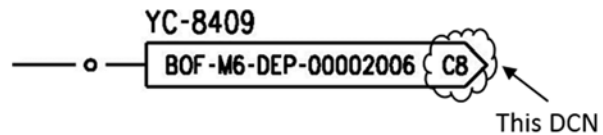


4) Revise zone information within offsheet connector for data signal found in zone E2 of 24590-BOF-M6-DEP-00001002

Before:

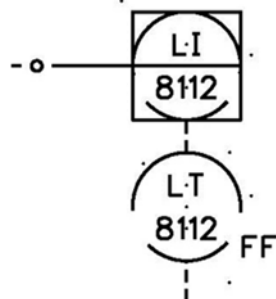


After:

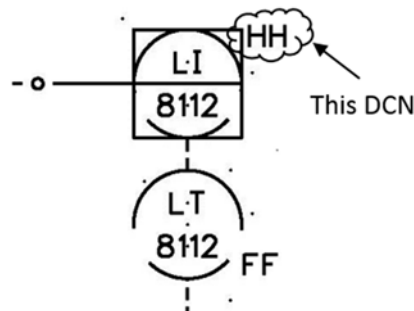


5) Add high-high alarm to level indication DEP-LI-8112 found in zone C3 of 24590-BOF-M6-DEP-00001002

Before:



After:





Drawing Change Notice

Page 3 of 3

CHANGE DOCUMENT
NO.
24590-BOF-M6N-DEP-
00001

JOB NO. 24590	TITLE FOR CHANGE NOTICE MISCELLANEOUS CHANGES TO LOW POINT DRAIN VESSEL P&ID
------------------	---

ORIGINATOR Catherine Shipman - C&I <i>Catherine Shipman</i>	CHECKER Pat Treese - C&I <i>P.A. Treese</i>
---	---

Approval(s)			
MS EGS - Youssef Mohammad-Zadeh <i>Youssef Mohammad-Zadeh</i>	C&I EGS - Dennis Huth <i>Dennis A. Huth</i>	DFLAW PE - George Fry <i>George J. Fry</i>	

Date (inserted by final approver): 8/19/16