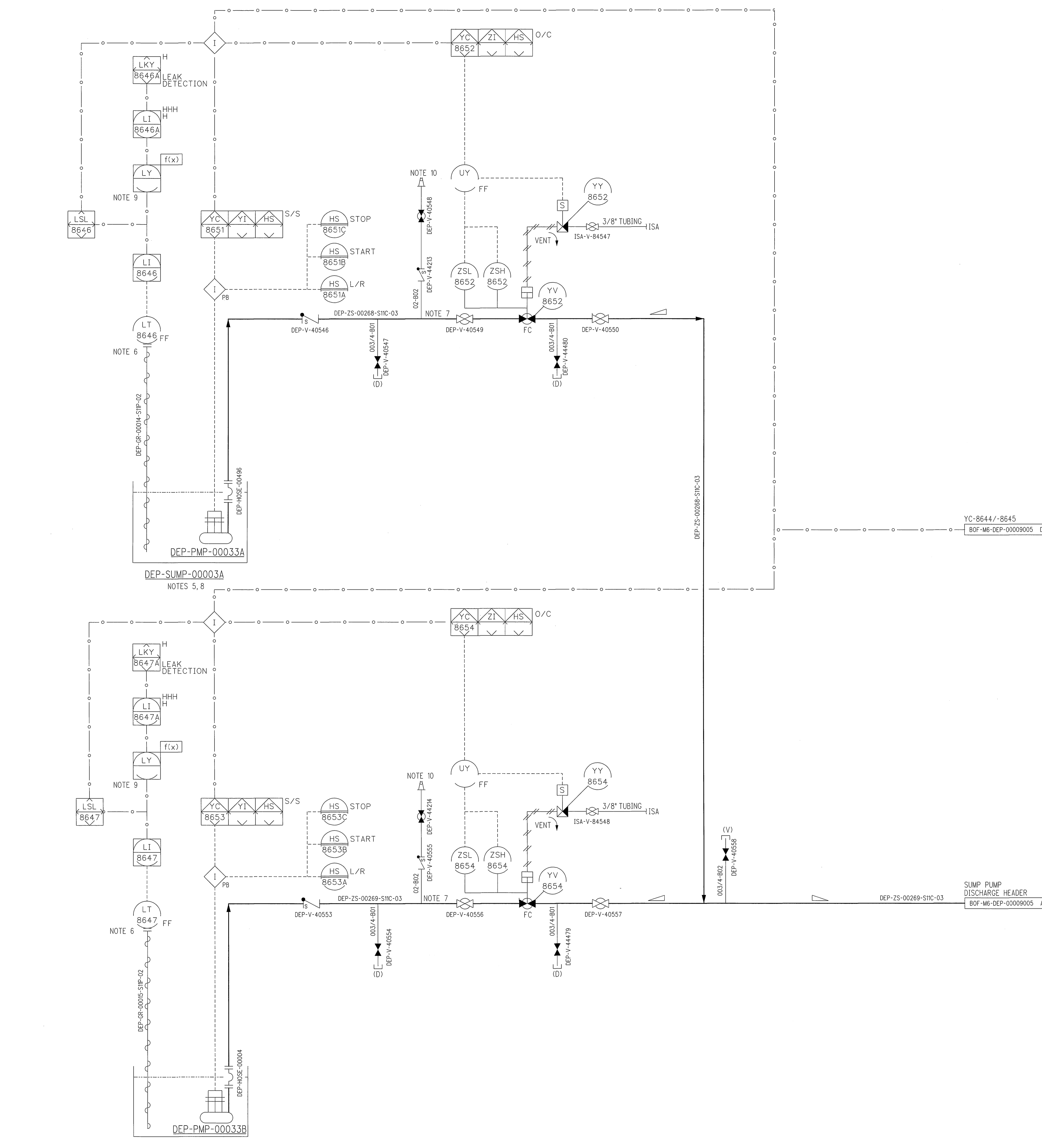


H
G
F
E
D
C
B
A

DEP-SUMP-00003A EAST PROCESS AREA SUMP SUMP PUMP SUMP CAP 58 GAL 24 IN DIA x 30 IN DEEP	DEP-PMP-00033A EAST PROCESS AREA SUMP PUMP 120 GPM @ 83 FT TDH 15 HP	DEP-SUMP-00003B EAST PROCESS AREA SUMP SUMP PUMP SUMP CAP 58 GAL 24 IN DIA x 30 IN DEEP	DEP-PMP-00033B EAST PROCESS AREA SUMP PUMP 120 GPM @ 83 FT TDH 15 HP
---	--	---	--



- NOTES:**
- SEE DRAWINGS 24590-WTP-M6-50-00001 THROUGH 24590-WTP-M6-50-00008 FOR GENERAL NOTES, SYMBOLS AND LEGEND, AND GENERAL SLOPE REQUIREMENTS.
 - CONTENTS OF THIS DOCUMENT ARE DANGEROUS WASTE PERMIT AFFECTING.
 - THE PRESSURE BOUNDARY FOR ALL COMPONENTS ON THIS DRAWING IS QUALITY LEVEL CM AND SEISMIC CATEGORY SC-IV, UNLESS OTHERWISE NOTED.
 - ALL LINES SHOWN ON THIS DRAWING SHALL BE FREE DRAINING, UNLESS OTHERWISE NOTED.
 - SUMP SHALL BE FLAT BOTTOM SUMP.
 - STANDPIPE TO BE INSTALLED FROM 1/2" OFF OF THE BOTTOM OF THE SUMP TO 5 FEET ABOVE THE SUMP.
 - LOCATE FLUSH CONNECTION ON THE TOP OF THE PROCESS PIPE, AS CLOSE AS POSSIBLE TO THE CHECK VALVE.
 - LOCATE IN EAST SIDE OF PROCESS AREA (E-0102).
 - FUNCTION CONVERTS SUMP LEVEL IN INCHES TO GALLONS.
 - FOR CONNECTION TO LOCAL DIW UTILITY STATION FOR FLUSHING.

HOLD/OPEN ITEMS:
NONE

- REFERENCES:**
- 24590-WTP-M6-50-00001, WTP DIRECT FEED LOW ACTIVITY WASTE (DFLAW) AND SYSTEM DESIGN DESCRIPTIONS.

PLEASE NOTE THAT SOURCE, SPECIAL NUCLEAR AND BYPRODUCT MATERIALS, AS DEFINED IN THE ATOMIC ENERGY ACT OF 1954 (AEA) ARE REGULATED AT THE U.S. DEPARTMENT OF ENERGY (DOE) FACILITIES EXCLUSIVELY BY DOE ACTING PURSUANT TO ITS AEA AUTHORITY AND AUTHORITY TO REGULATE SOURCE, SPECIAL NUCLEAR AND BYPRODUCT MATERIALS AT DOE-OWNED NUCLEAR FACILITIES. INFORMATION CONTAINED HEREIN ON RADIONUCLIDES IS PROVIDED FOR PROCESS DESCRIPTION PURPOSES ONLY.

CM QUALITY DESIGNATOR ISSUED BY: RFP-WTP PDC ISSUE STAMP:	0	ISSUED FOR CONSTRUCTION	3/23/16	RP	EV	AF	3/24/16
	REV	DESCRIPTION	ORG	CHKD	RVWD	APVD	DATE

PROJECT No.	24590	BECHTEL RIVER PROTECTION PROJECT WASTE TREATMENT PLANT 2435 STEVENS CENTER PLACE RICHLAND, WA 99354
SITE	HANFORD	
AREA	200E	
BUILDING No.	25	
ISSUE STAMP	BY: [Signature] DATE: 3/23/16	CONTRACT No. DE-AC27-09RV14136
ORIGINATOR	Robert [Signature] 3/23/16	P&ID - BOF / EMF DIRECT FEED LAW EMF PROCESS AREA SUMP DEP-SUMP-00003A/B
CHECKER	[Signature] 3/23/16	
APPROVER	[Signature] 3/23/16	
APPROVER	[Signature] 3/24/16	
CONTENT APPLICABLE TO ALARA? <input type="checkbox"/> YES <input checked="" type="checkbox"/> NO	SCALE: NONE	REV: 0
ADR NO. 24590-WTP-ADR-M-16-0001	REV: 1	24590-BOF-M6-DEP-00009004

FORM E_S01M.DGN 02/2009 8 7 6 5 4 3 2 1

COMPUTER GENERATED - MANUAL DESIGN CHANGES NOT PERMITTED

3/23/2016 7:09:23 AM