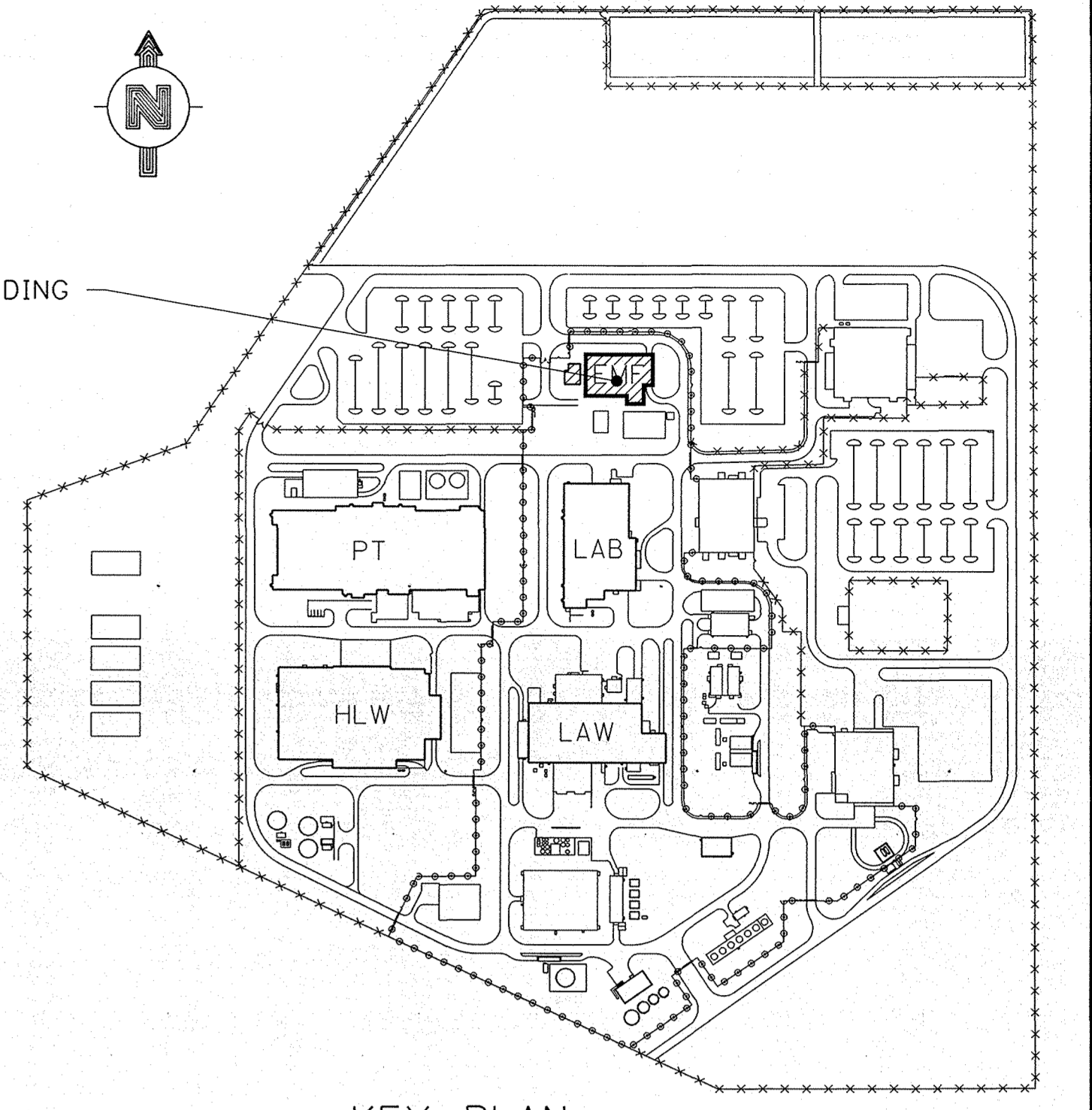


PLAN AT EL. 0'-0"



KEY PLAN

GENERAL NOTES:

- 1. FOR REFERENCE, SEE PLOT PLAN DWG 24590-BOF-P1-50-00001.
- 2. REFER TO DRAWING No. 24590-BOF-C2-C12T-00002 FOR CONVERSIONS FROM LAW EFFLUENT PROCESS BLDG TO SITE ELEVATIONS.
- 3. THE RADIATION/CONTAMINATION CLASSIFICATIONS DEPICTED ON THE DRAWING ARE FOR DESIGN PURPOSES ONLY AND DO NOT NECESSARILY INDICATE HOW THE AREAS WILL BE POSTED (CONTROLLED) DURING RADIOACTIVE OPERATIONS.
- 4. IBC 2000 REQUIRES A MINIMUM OF 40'-0" SEPARATION OF BUILDINGS WITH NON-RATED WALLS. THIS APPLIES TO BUILDINGS 25, 26 AND 27.

NOTES:

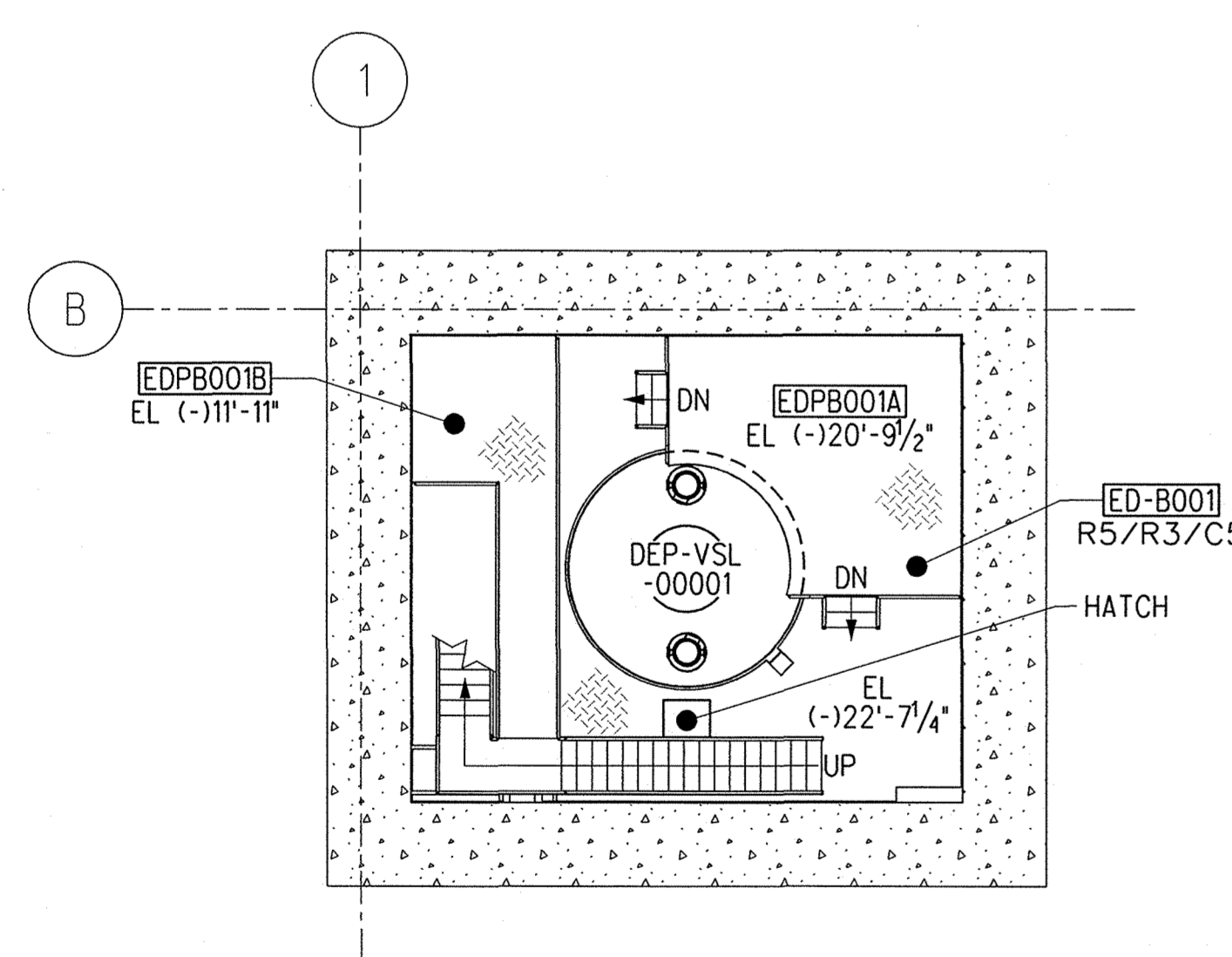
- 1. CONTENTS OF THIS DOCUMENT ARE DANGEROUS WASTE PERMIT AFFECTING.
- 2. FLOOR/LINER SLOPE IS REQUIRED IN ROOMS WITH SUMPS. SLOPE IS TO BE A MINIMUM OF 1% TOWARD THE SUMP.
- 3. PLATFORMS, LANDINGS AND STAIRS IN E-0102, E-0102A, E-0103 AND ED-0001 WILL BE CHECKER PLATE.

HOLDS:

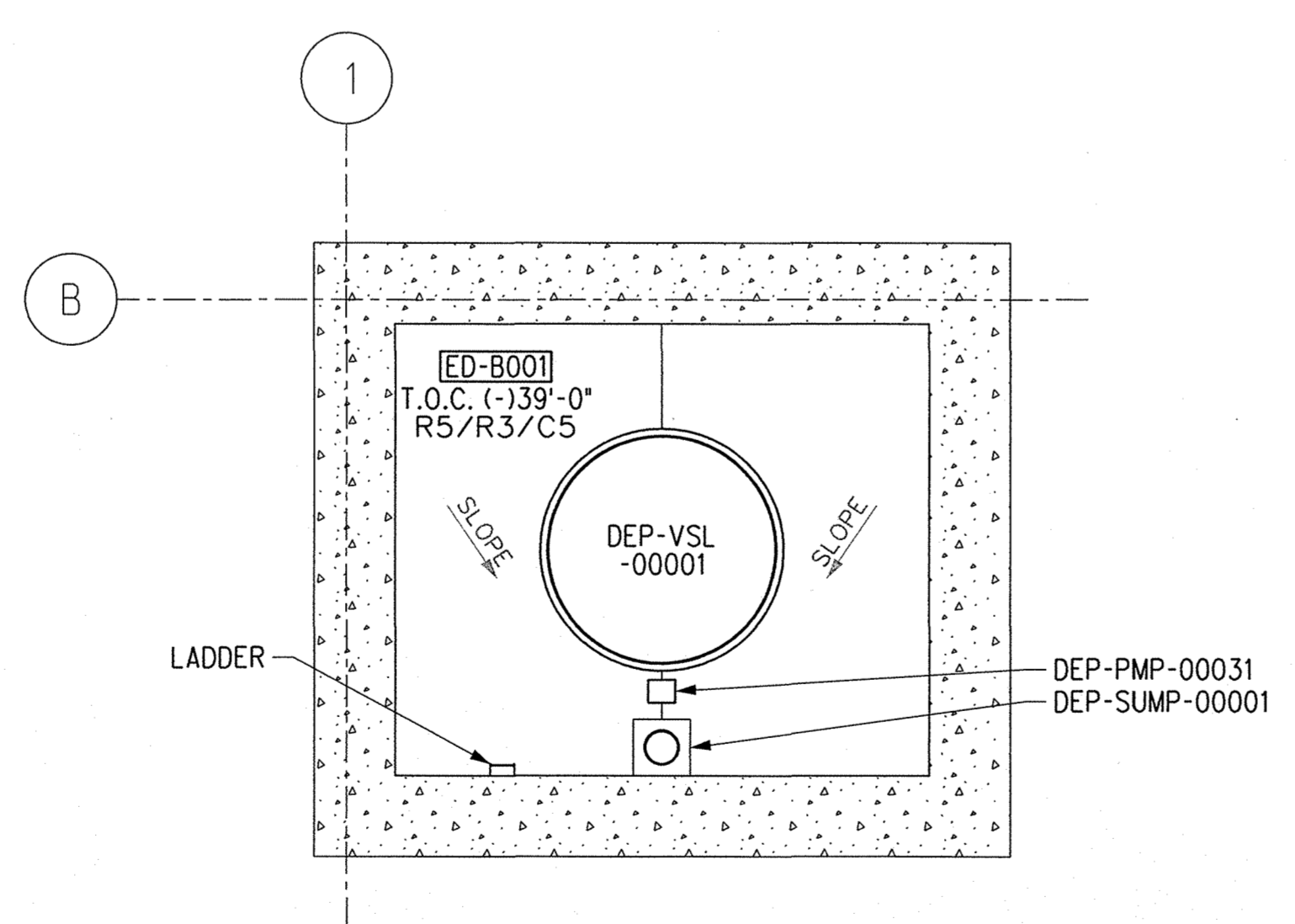
- 1. GENERAL NOTES 1 AND 2 ON HOLD PENDING REVISION OF REFERENCED DOCUMENTS TO ADD EMF RELATED CONTENT.
- 2. HOLD LOCATION FOR WALL INSULATION.

LEGEND:

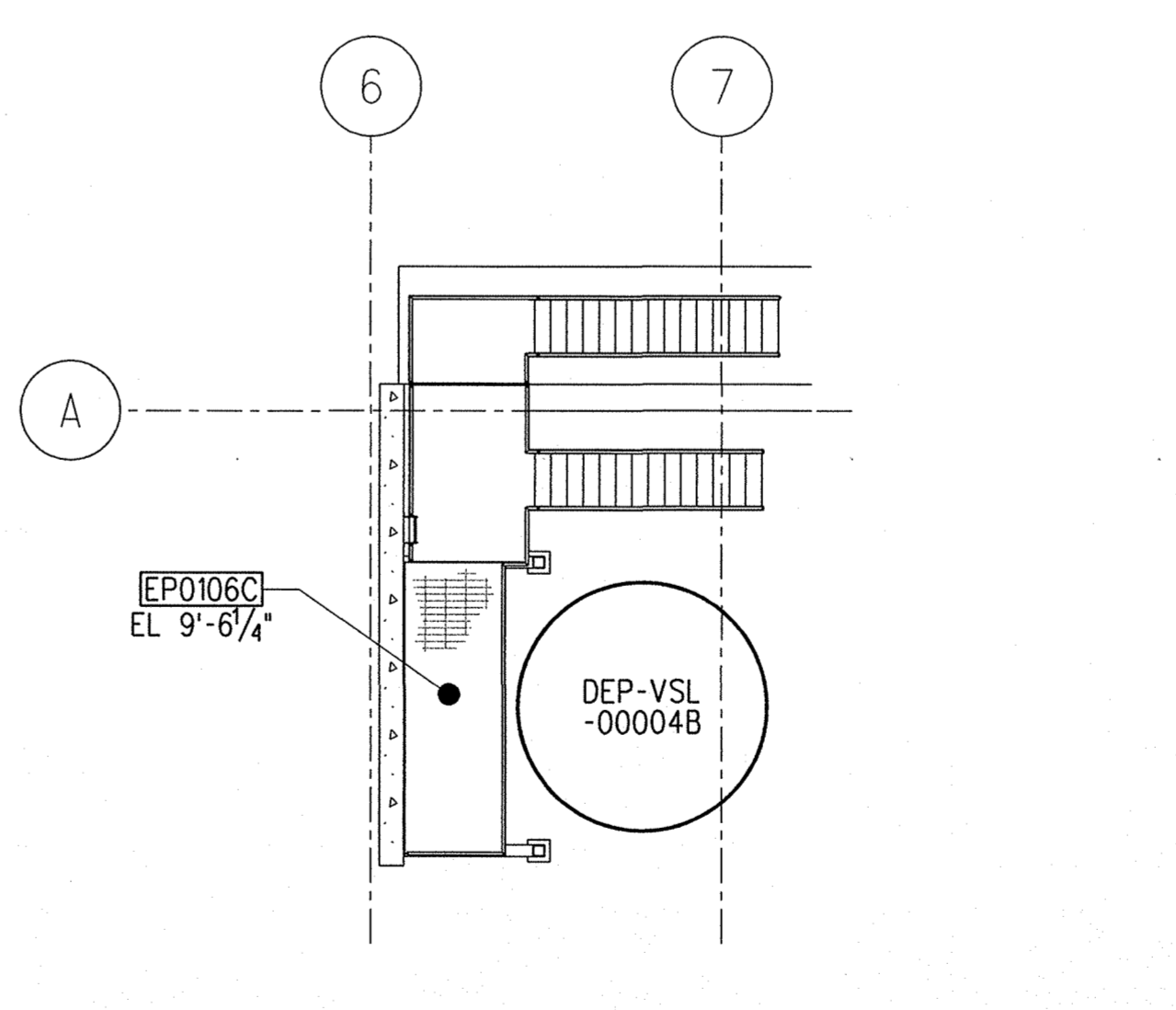
- CA CONTROLLED ACCESS
- EE EMERGENCY EXIT
- P.O.S. POINT OF SUPPORT
- T.O.C. TOP OF CONCRETE
- T.O.S. TOP OF STEEL
- [Symbol] EQUIPMENT REMOVAL/LAY DOWN AREA
- [Symbol] EMERGENCY SHOWER/EYEWASH (PLAN VIEW)
- [Symbol] CONCRETE
- [Symbol] GRATING
- [Symbol] CHECKER PLATE
- [Symbol] SUMP
- [Symbol] SUMP W/SUMP PUMP
- [Symbol] LADDER W/CAGE
- [E-XXXX] LAW EFFLUENT PROCESS BLDG ROOM
- [EPXXXX] LAW EFFLUENT PROCESS BLDG PLATFORM
- [EPPXXXX] LAW EFFLUENT PROCESS BLDG EQUIPMENT PAD
- [EPPPXXXX] LAW EFFLUENT PROCESS BLDG EQUIPMENT PAD PLATFORM
- [ED-XXXX] LAW EFFLUENT DRAIN TANK BLDG ROOM
- [ED-BXXXX] LAW EFFLUENT DRAIN TANK BLDG ROOM (BELOW GRADE)
- [EDPBXXXX] LAW EFFLUENT DRAIN TANK BLDG PLATFORM (BELOW GRADE)
- [EDCHXXXX] LAW EFFLUENT DRAIN TANK BLDG CHASE
- [EU-XXXX] LAW EFFLUENT UTILITY BLDG ROOM
- [EUPXXXX] LAW EFFLUENT UTILITY BLDG PLATFORM



PARTIAL PLAN AT EL. (-)22'-7 1/4"



PARTIAL PLAN AT EL. (-)39'-0"



PARTIAL PLAN BELOW EP0106A

Please note that source, special nuclear, and byproduct materials as defined in the Atomic Energy Act of 1954 (AEA) are regulated at the U. S. Department of Energy (DOE) facilities exclusively by DOE acting pursuant to its AEA authority. DOE asserts that pursuant to AEA, it has sole and exclusive responsibility and authority to regulate source, special nuclear, and byproduct materials at DOE-owned nuclear facilities. Information contained herein on radionuclides is provided for process description purposes only.

ISSUED FOR DESIGN	3/7/2016	SRH	3/1/2016
DESCRIPTION	ORG	CHKD	RWD/APVD
DATE	DATE	DATE	DATE

PROJECT No.	24590	SITE	HANFORD
AREA	200E	BUILDING No.	25,25A
ORIGINATOR	DATE	CHECKER	DATE
APPROVER	DATE	REVIEWER	DATE

REVISION HISTORY	
CONTRACT No.	DE-AC27-01RV14136
RIVER PROTECTION PROJECT WASTE TREATMENT PLANT 2435 STEVENS CENTER PLACE RICHLAND, WA 99354	
BALANCE OF FACILITIES LAW EFFLUENT PROCESS BLDG & LAW EFFLUENT DRAIN TANK BLDG GENERAL ARRANGEMENT PLAN AT ELEV. 0'-0"	

SCALE	1"=10'-0"	REV	0
PROJECT No.	24590-BOF-P1-25-00001	DATE	3/3/2016 1:22:24 PM