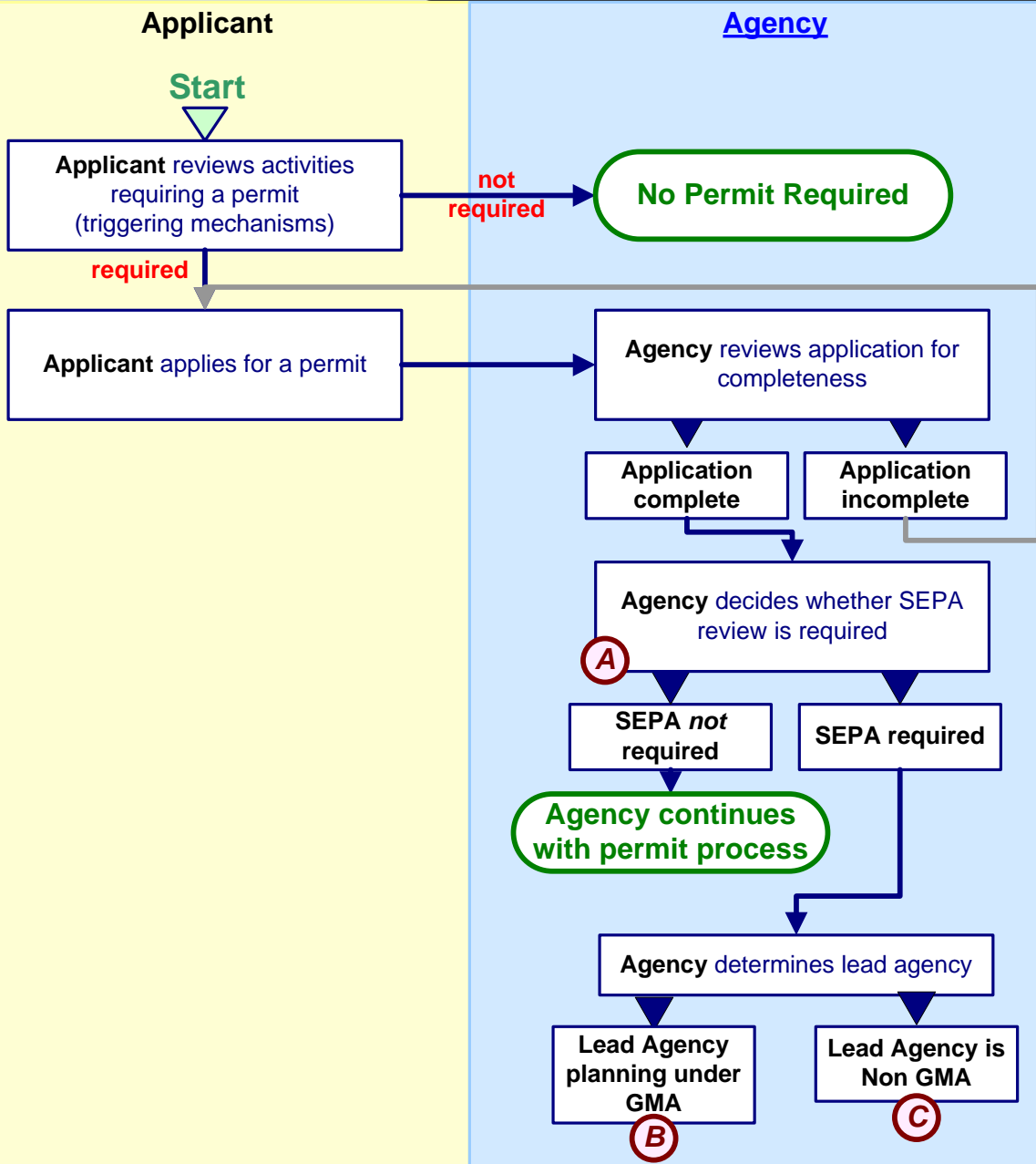


Application Phase



Legend: (A) =Hyperlink → =Progression → =Revision ▶ =Optional
 GMA=Growth Management Act

For more information on this or any permitting process visit <http://www.ora.wa.gov> or call the Washington State Office of Regulatory Assistance at (800) 917-0043.

State Environmental Policy Act (SEPA) (for GMA Agencies)



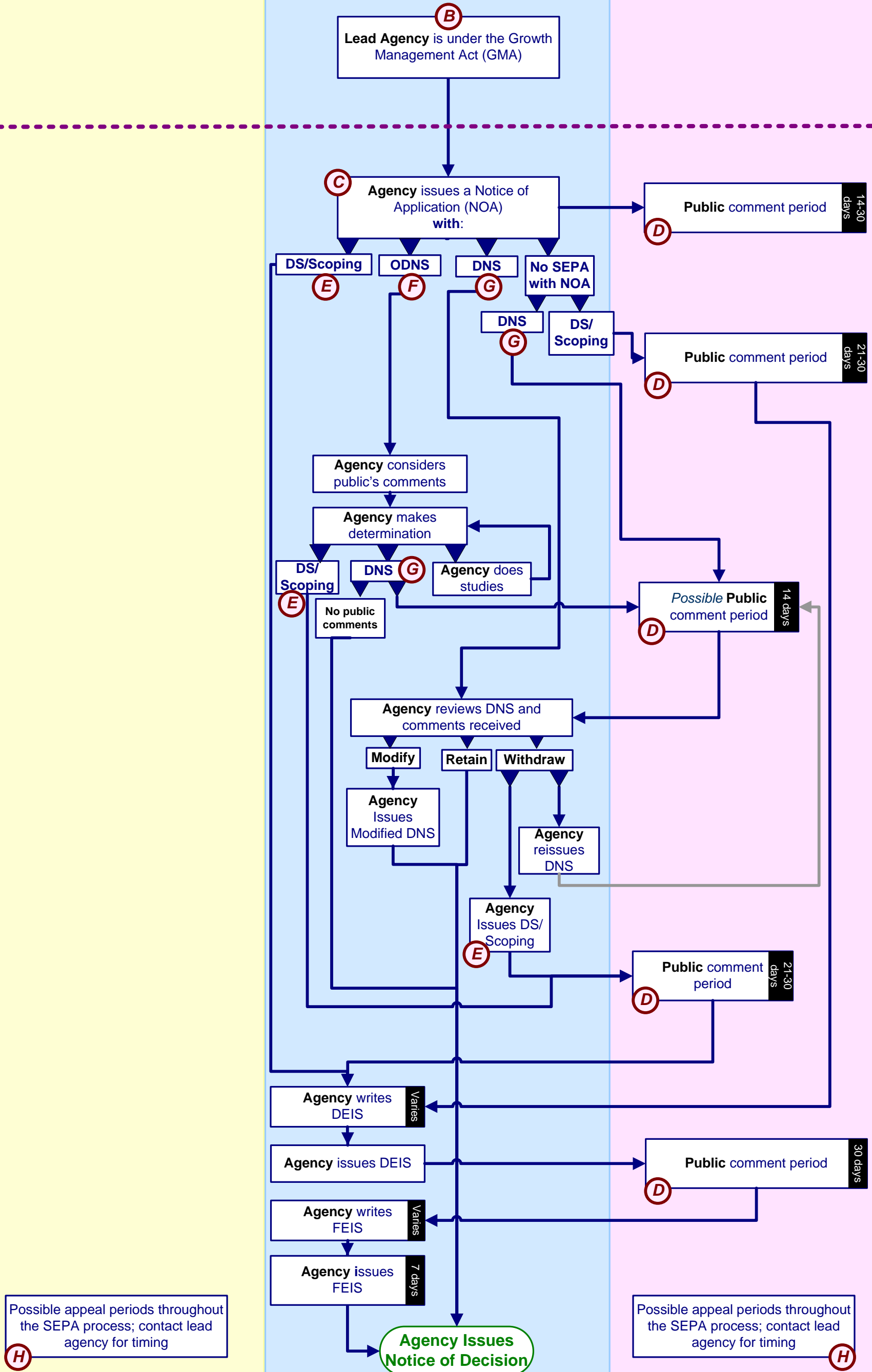
Application Phase

Lead Agency Review and Threshold Determination

Applicant

Lead Agency

Public or Other Interested Party



120 days

Legend:

(A) = Hyperlink

→ = Progression

↔ = Revision

GMA=Growth Management Act

NOA=Notice of Application

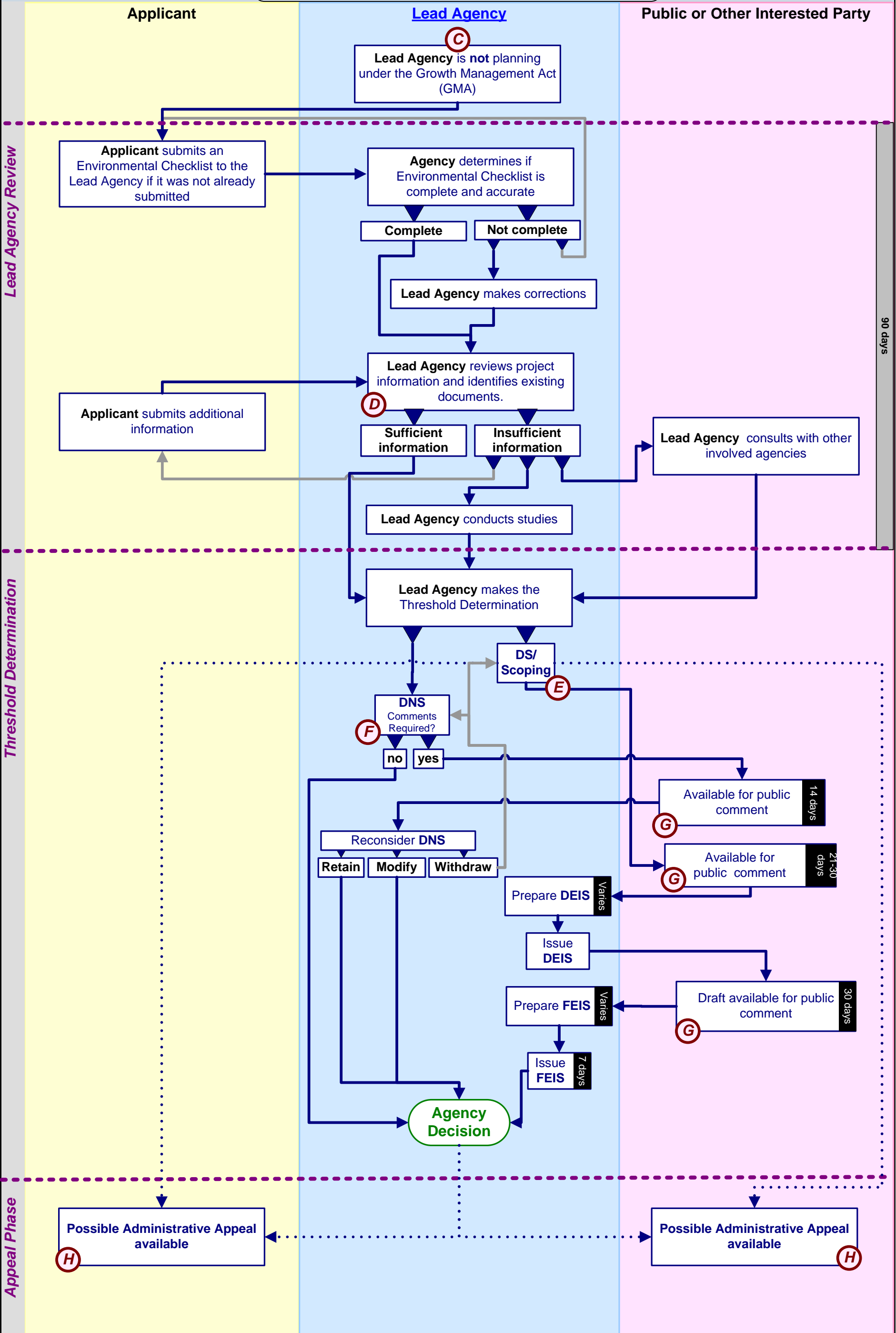
DNS=Determination of Nonsignificance

ODNS=Optional DNS

EIS=Environmental Impact Statement

DEIS=Draft EIS

FEIS=Final EIS



Legend: (A) =Hyperlink → =Progression ⇐ =Revision ▶ =Optional
 DNS=Determination of Nonsignificance EIS=Environmental Impact Statement
 DEIS=Draft EIS FEIS=Final EIS