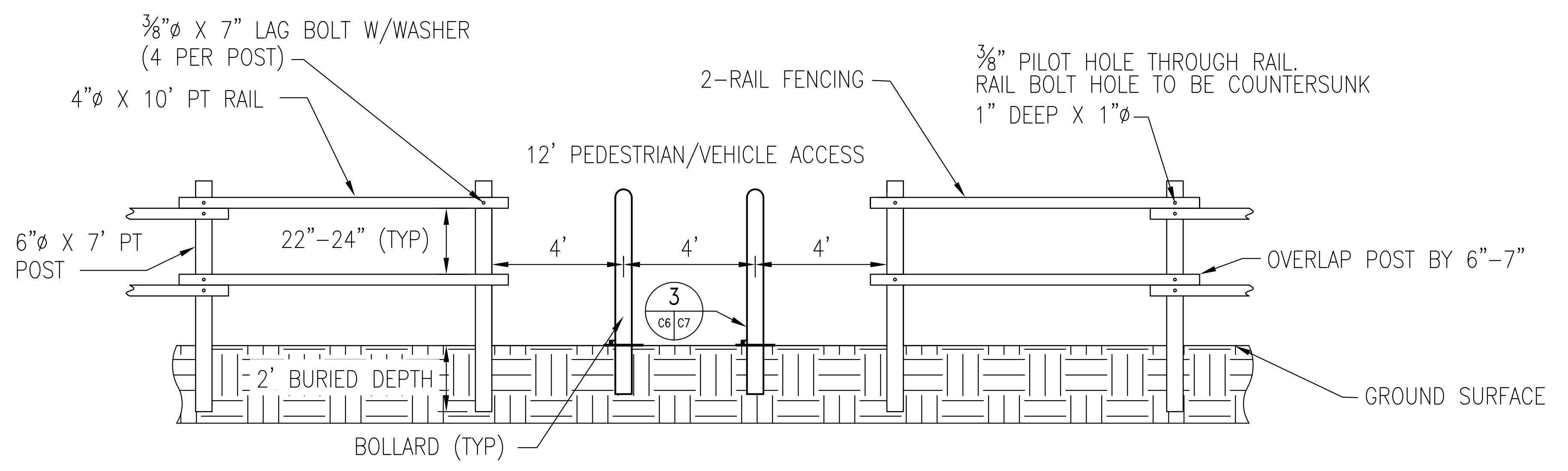


1 2-RAIL FENCING AND PEDESTRIAN ACCESS (TYP)
 C2 | C6 | NTS



2 PEDESTRIAN/STATE PARK VEHICLE ACCESS (TYP)
 C2 | C6 | NTS

-						
-						
-						
-						
REV.	DATE	DESCRIPTION	DES BY	DWN BY	CHK BY	APP BY



Date Of Issue:	March 2008
Designed By:	ACS
Drawn By:	ACS
Checked By:	SMF
Approved By:	

SPOKANE RIVER METALS SITES
 HARVARD ROAD NORTH RECREATIONAL AREA
 REMEDIAL ACTION
 SPOKANE COUNTY, WASHINGTON

CONSTRUCTION DETAILS 90% DESIGN SUBMITTAL	Drawing No. C6
	Project No. 501C